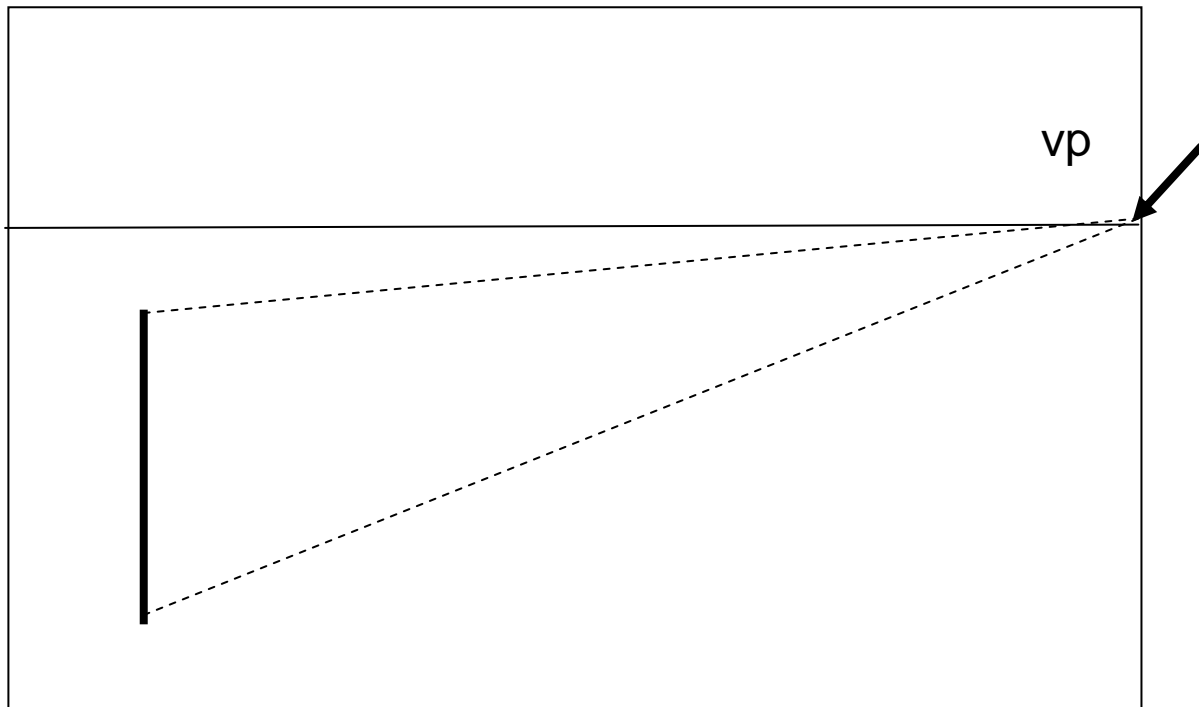


Fence in perspective. How to draw a fence or rail road tracks in perspective.

**Objective:** I can draw a fence, railroad tracks or a tree row.

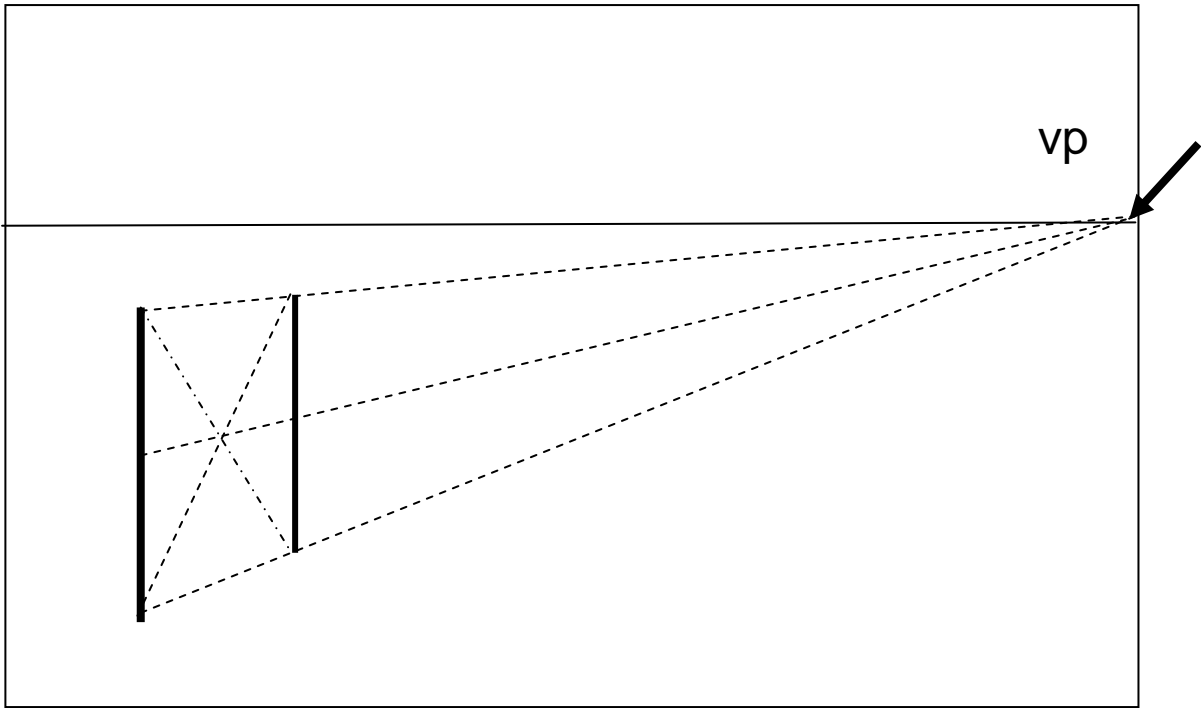
This is how a draftsman would make sure that all of the poles are “planted” in perspective.

1. Draw a vertical line for the first pole.
2. Draw perspective guide lines from the top and bottom of the pole to the VP.



perspective information

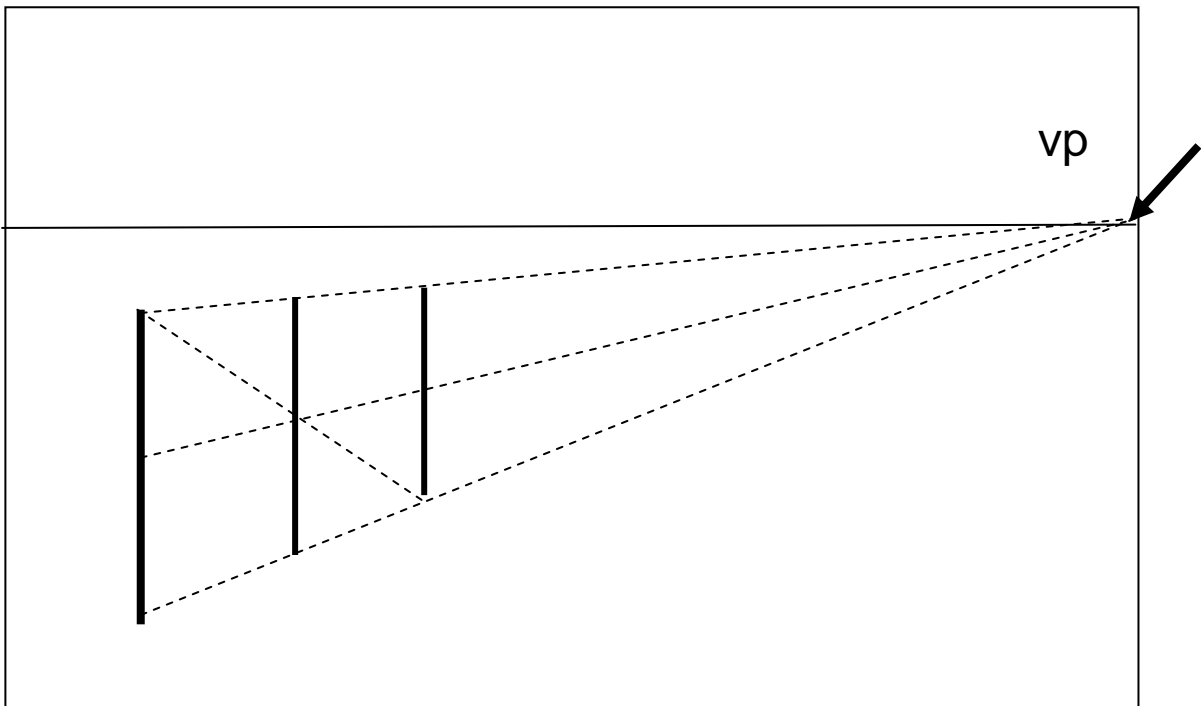
3. Draw a vertical line for the second pole. This will establish the length between each pole for the rest of the drawing.
4. X the plane created by the two poles. (Draw a line from opposite end points, then repeat for the other set of end points.) The “X” marks the center of the plane. This is in perspective so it will look strange to you.
5. Draw a guide line from the intersection of X to the VP.



This creates two guide points – the top of the first pole and the middle of the second pole.

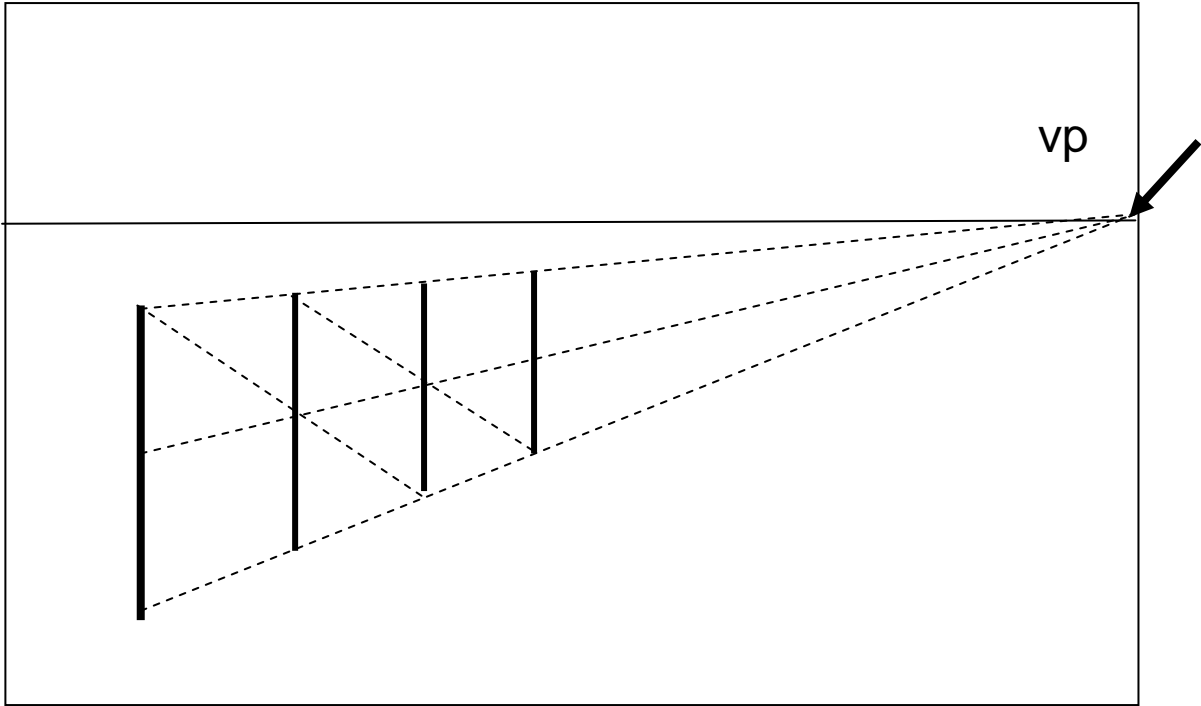
6. Draw a guide line from the top of the first pole through the middle of the second pole down to the ground guide line. This marks the spot where pole number 3 will be planted

7. Draw a vertical line within the oblique guide lines for pole number 3.



8. Draw a guide line from the top of pole 2 through the middle of pole 3 to the ground guide line. This marks where pole 4 will be planted.

9. Draw a vertical line in between the top and bottom guide lines at the point where pole 4 is to go.



10. Finish the fence using the same method.

This method can be used to draw fences, windows, railroad tracks, tree rows, arches and lines for the sidewalk.