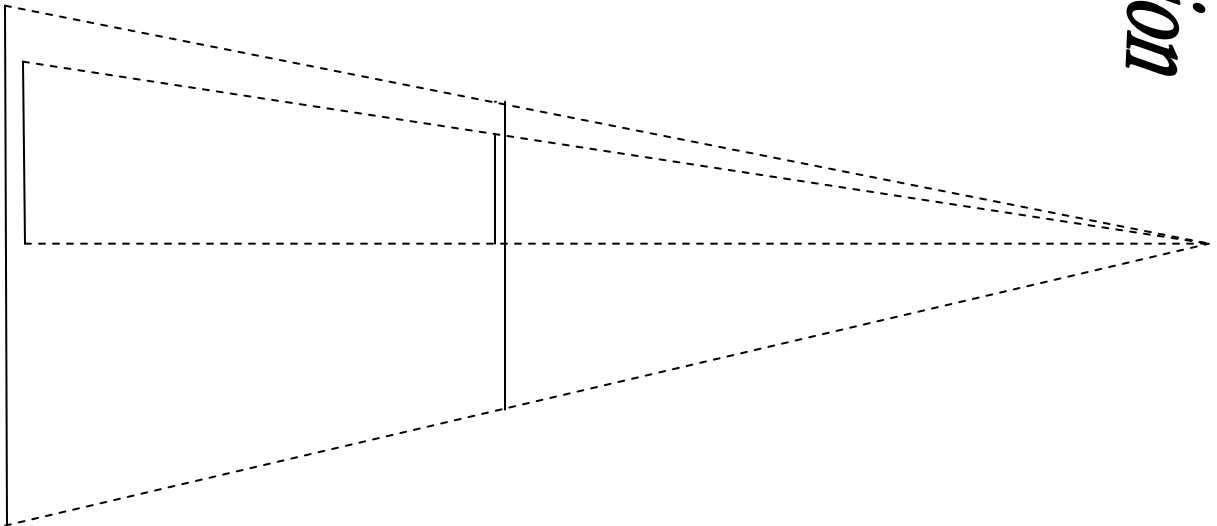


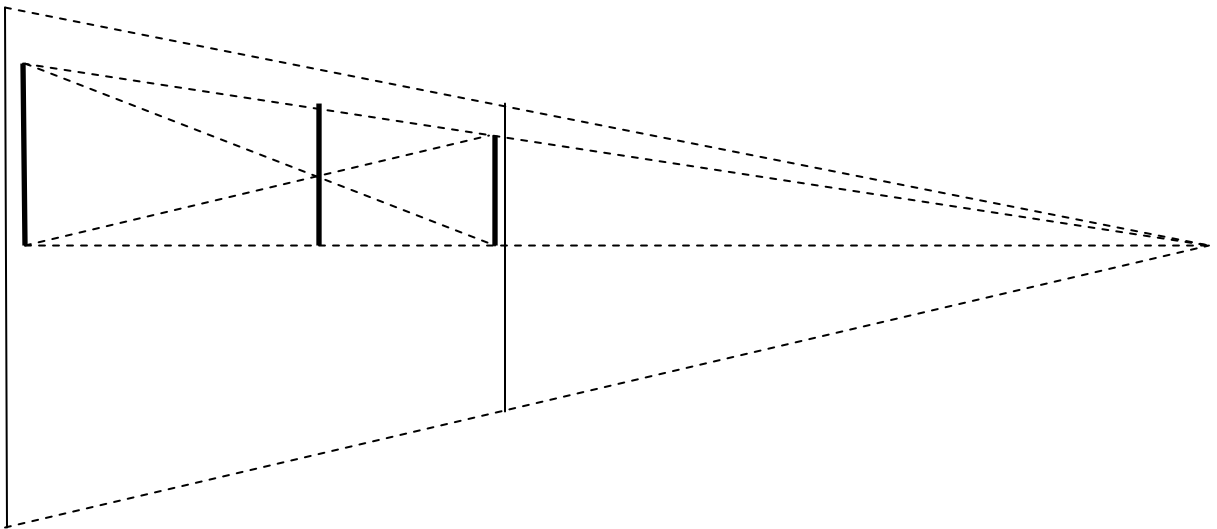
]How to draw perspective windows, fence or rail road information sheet.

First way to do windows in a building whether it is one point or two point.

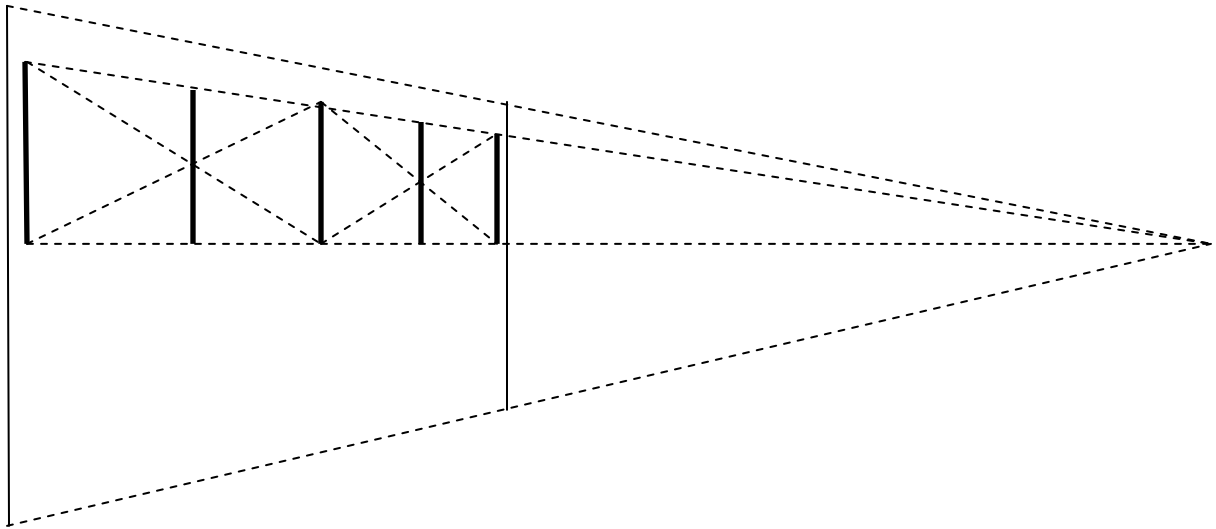
- a. Draw a line for the start of the window and add the lines to the vanishing point.
- b. Draw a line to end the set of windows. This makes a plane. You can find the center of any plane by X-ing the plane.



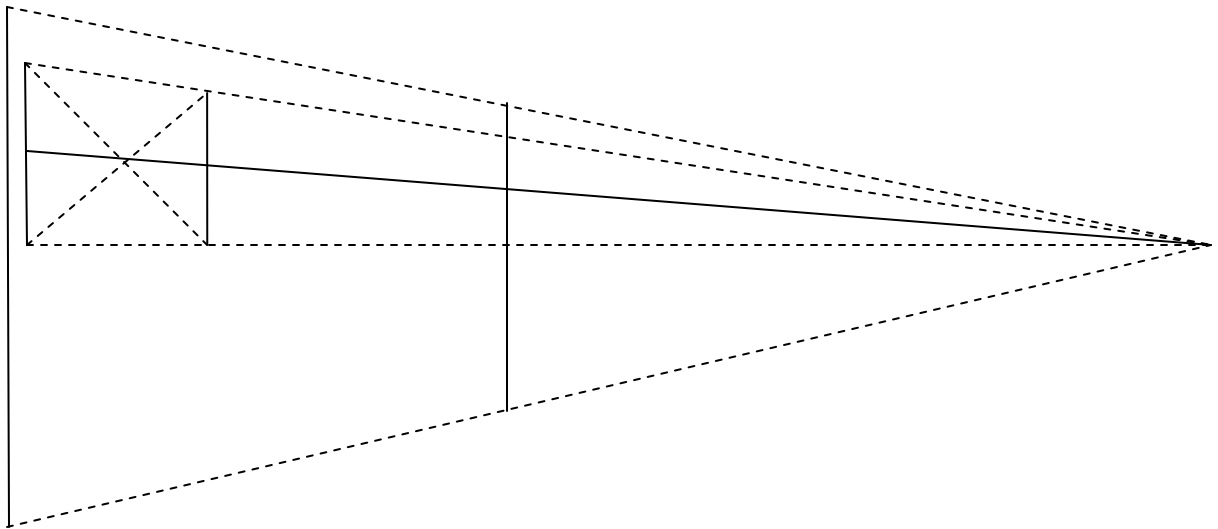
- c. X the plane of the windows panel to find the center. Draw a line through the x to get two windows. This mathematically and visually divides the plane into two windows in perspective view. The windows will be different lengths as one is depicting a three dimensional space on a two dimensional surface.



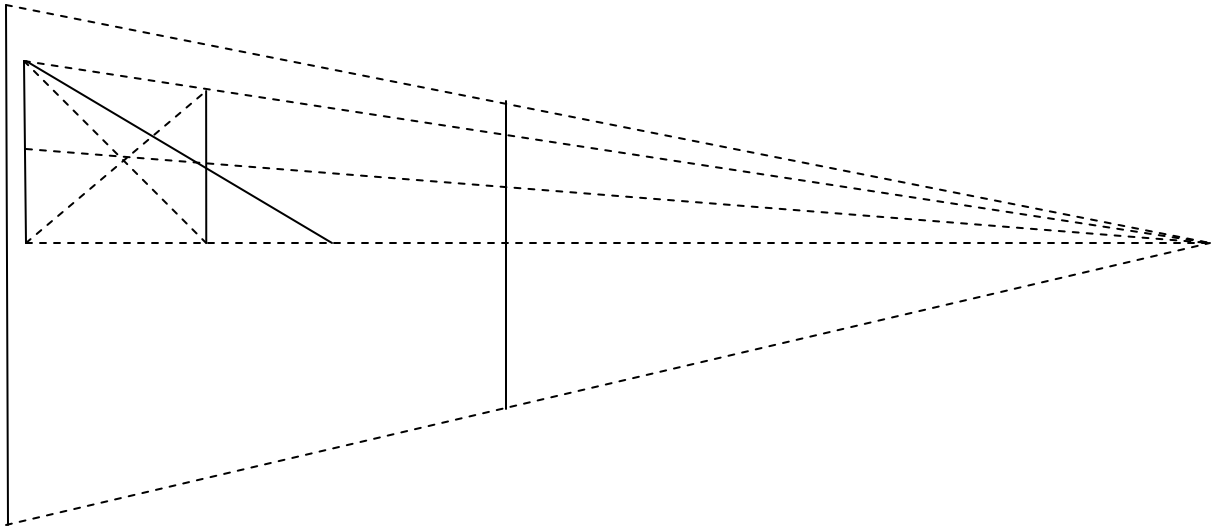
- d. To get more windows, X the smaller plane (window) just made to divide that plane into two and repeat for the last plane to make a total of four windows.



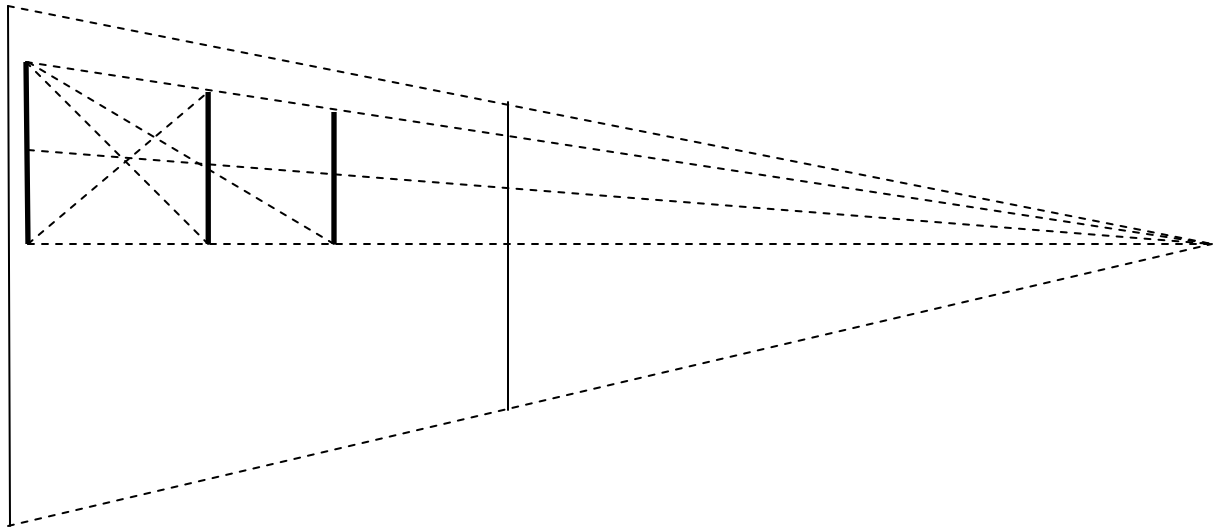
2. The next method works for windows, fences, rail road tracks and sidewalks.
 - a. Place the first "window".
 - b. X the plane just made.
 - c. Draw a guide line through the X to the Vanishing Point.



- d. This guide line marks the center of the window line. To find where the next widow is going to be, Draw a guide line from the top of the first vertical window line through the middle of the second vertical window line to the bottom guide line to the Vanishing point.



e. Draw a vertical line at that point to finish off the next window.



f. Continue the pattern to put in the rest of the windows. This method works for railroads, fences, tree rows and sidewalks also.

